

# Mechanical Cabinet Actuator

Since 1993, GE Power Systems has been using computer-based training to take advantage of its capabilities to:

- Shorten training time.
- Improve retention rates.
- Bring just-in-time training to our service engineers.

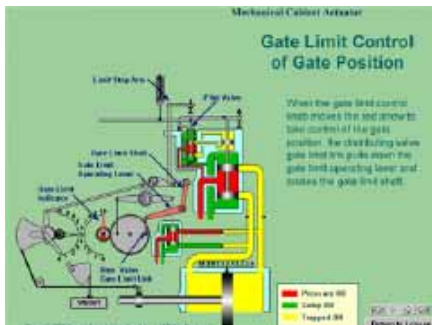
Today one of our best CD-ROM training programs, Mechanical Cabinet Actuator, is being made available to our customers. Based upon the latest technology, this course utilizes state-of-the-art 3D animations, graphics, video and text to bring basic Mechanical Cabinet Actuator knowledge to a customer's power plant.



Choose amount of detail desired



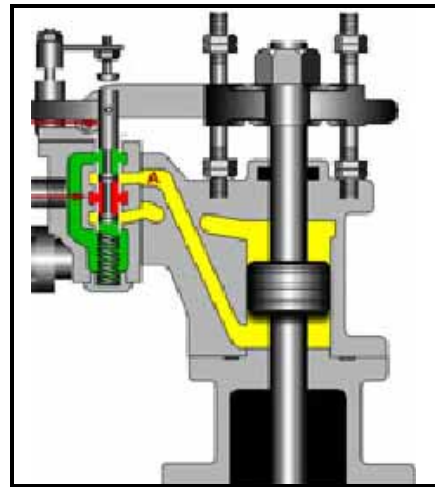
Advance at your own pace



Return to sections for review



**GE Power Systems**  
Power Systems University



## BENEFITS

Using traditional classroom training methods to present this material could take up to 40 hours. With GE's interactive multimedia training course you can:

- Reduce training time by an average of 30% to 70%.
- Increase long-term retention by an average of 25% to 50%.

This course covers Mechanical Cabinet Actuator operation, maintenance, and troubleshooting. Within each of these sections the following topics are presented:

- Mechanical Cabinet Actuator description
- Functional overview of all major components
- Governor parts and mechanisms
- Cabinet controls and indicators
- Manual start-up operation
- Over & under frequency operation
- Troubleshooting
- Review

## FLEXIBILITY

Now your employees can:

- Train during work or off hours, anytime and anywhere.
- Use it as a quick-start training program.
- Use it as a periodic refresher course.

## ORGANIZATION

The integrated, automatic record keeping system maintains complete records on:

- Each user's progress.
- Each user's test scores.

## SYSTEM REQUIREMENTS

- IBM® Compatible Computer
- 586 Intel® Pentium® 90MHz or better
- 16 MB RAM
- Hard Drive w/ min. 15 MB free
- MS DOS 6.2 or higher
- Microsoft® Windows® 95 or Windows NT® v4.0 (with service pack three)
- VGA adapter configured for 640x480 resolution with 16-bit High Color (65,536)
- Mouse
- Compatible audio
- Quad speed or higher CD Player

**Contact:** Power Systems University-Loveland  
3800 N. Wilson Ave.  
Loveland, CO USA 80538  
800-835-5182 ext. 5235  
970-962-5235  
Fax 970-962-7236

[www.gpower.com/dhtml/psu\\_cust/en\\_us/index.jsp/](http://www.gpower.com/dhtml/psu_cust/en_us/index.jsp/)